



**ROYAL**  
**COZYFIRES**  
**SLIMLINE STANDARD MK 2**  
**MULTIFLUE**



## User, Installation & Servicing Instructions

This appliance is for use on NATURAL GAS (G20) ONLY at a supply pressure of 20mbar

Please hand this booklet to the user and advise to keep in a safe place

G.C. No      32-187-41A

Important Notice: Before disposal of the outer packaging, please enter the product code, purchase and installation details in section 1.1 of this booklet.

This booklet details instructions for USER (section 1), INSTALLATION (section 2) & SERVICING (section 3).

## **IMPORTANT NOTICE**

It is important for the safe and continued operation of this appliance that the instructions contained in this booklet are observed!

## **TABLE OF CONTENTS**

<b>Section</b>	<b>1.0</b>	<b>Instructions for Use</b>
	1.1	Record of purchase/installation
	1.2	Important notes
	1.3	Lighting and extinguishing the appliance
	1.4	Re-laying the coal/pebble bed
	1.5	Spare parts
	1.6	Guarantee
<b>Section</b>	<b>2.0</b>	<b>Installation Instructions</b>
	2.1	Important notes
	2.2	Statutory requirements
	2.3	Technical data
	2.4	Installing the appliance (Ventilation)
	2.4.1	Flue
	2.4.2	Clearance to sides and shelves
	2.4.3	Hearth Clearances
	2.4.4	Fitting the appliance in position
	2.4.4.1	Restrictor plate
	2.4.4.2	Fitting the firebox in the opening
	2.4.4.3	Connecting the gas supply
	2.4.4.4	Checking the appliance setting pressure
	2.4.4.5	Checking the correct operation
	2.5	Laying the coal/pebble bed
	2.6	Clearance of combustion products
	2.7	Front and Frets (requirements for ventilation)
	2.8	Advising the customer
<b>Section</b>	<b>3.0</b>	<b>Maintenance and Servicing</b>
	3.1	Removal of debris or soot
	3.2	Servicing components below the heat engine
	3.3	Spare parts
	3.4	Useful telephone numbers

# Section 1 – Instructions for Use

## Purchase Details

Date of purchase \_\_\_\_\_ / \_\_\_\_\_ / \_\_\_\_\_

Purchase from \_\_\_\_\_

Address \_\_\_\_\_

\_\_\_\_\_

## Installation Details

Date of installation \_\_\_\_\_ / \_\_\_\_\_ / \_\_\_\_\_

Installed by \_\_\_\_\_

Registration number \_\_\_\_\_

Telephone number \_\_\_\_\_

## Appliance Details

Serial number \_\_\_\_\_  
(located on rating label)

Product Code \_\_\_\_\_  
(located on white label on outer carton)

*It is advisable to have all the above information available if assistance is required. It will aid our service department in helping you more efficiently.*

- 📖 **CAUTION – THIS PACKAGE WEIGHS 16Kgs – assess the load before you move it and note any other handling information on the packaging. If you think the load is beyond your safe capability, DO NOT PUT YOURSELF AT RISK! Seek assistance from other person(s) and/or use appropriate handling equipment. IT’S YOUR BODY – LOOK AFTER IT!**
- 📖 This appliance is for DECORATIVE PURPOSES ONLY and is manufactured to the requirements of the current issue of EN 509.
- 📖 **This appliance is for use on NATURAL GAS (G20) ONLY, at a supply pressure of 20mbar +/- 1mbar.**
- 📖 This appliance **MUST** be installed by a REGISTERED INSTALLER. Failure to do so may lead to prosecution.
- 📖 Ventilation for this appliance must be fitted in accordance with the rules in force and checked regularly for obstructions. If the appliance is installed in GREAT BRITAIN, additional ventilation is **NOT** normally required. If the appliance is installed in IRELAND, a minimal cross sectional area of 100cm<sup>2</sup> is required.
- 📖 Any permanent flue restriction must be removed and any variable dampers locked fully open or removed. If the flue has been used previously for solid fuel, it **MUST** be swept prior to installation.
- 📖 If soot accumulation becomes excessive, the fuel effect pieces should be removed from the appliance for cleaning. Cleaning should be carried out in a sufficiently ventilated area or in the open air, by gently brushing with the pieces held away from your face so that you avoid inhaling the dust. THE USE OF A NORMAL VACUUM CLEANER IS NOT RECOMMENDED as dust may be blown back into the room.
- 📖 This appliance has a naked flame and a fireguard to the current issue of BS 8423 - 2002 should be used for the protection of children, the elderly and the infirm.
- 📖 Care must be taken on the selection of wall coverings within close proximity of the appliance as some vinyl and embossed materials may become discoloured by convected heat. Soft furnishings must be kept clear from the radiant heat of the appliance and from impinging the hearth area. Combustible materials must not be put on or left in the hearth area nor should the coal bed be used to burn rubbish or other materials.
- 📖 This appliance uses fuel effect components, gaskets and insulation material containing Refractory Ceramic Fibre, (RCF), which are man-made vitreous silicate fibres. Excessive exposure to such material may cause temporary irritation to the eyes, skin and respiratory tract. Consequently, it makes sense to take care when handling these articles to ensure that the release of dust is kept to a minimum.
- 📖 This appliance is fitted with an ODS, a spillage monitoring system which operates if the evacuation of products is interrupted (i.e. blocked or incorrect flueing). If the appliance repeatedly ‘**goes out**’ it may indicate a problem and the installer or specialist should be consulted before further use.
- 📖 The minimum temperature rating of any back panel or hearth must have a minimum fire resistance rating of CLASS 0 (100°C).
- 📖 If any home improvements e.g. double glazing are carried out after this appliance has been installed, you should contact your Registered Installer and have the operation of the flue checked.

### 1.3 LIGHTING AND EXTINGUISHING THE APPLIANCE

1. Remove the fret (Fig. 1), to gain access to the controls (Fig. 2).

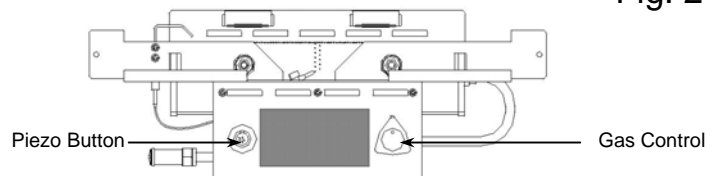
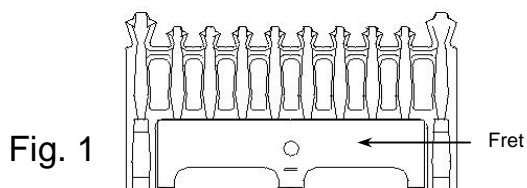
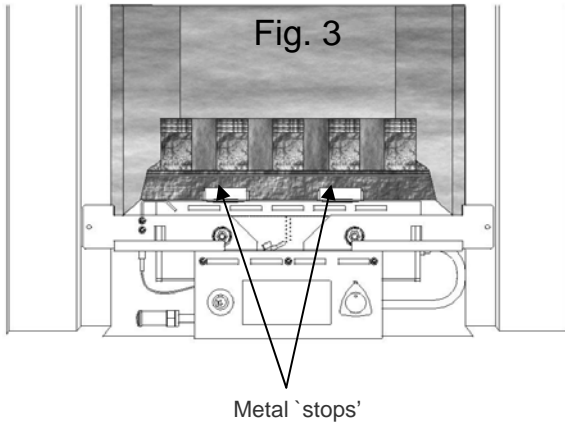


Fig. 2

2. Press and turn the gas control anti-clockwise to the ‘IGN’ position. Keep the control fully depressed.
3. Press and release the piezo button until the main burner behind the simulated front coal has lit.
4. Once lit, keep the gas control depressed for a further 15 seconds.
5. Release the gas control and check that the main burner has remained alight.
6. Press and turn the gas control anti-clockwise to the required setting. Replace the fret (controls cover).
7. To turn the appliance off, depress and turn the gas control clockwise from any position to the ‘OFF’ position.
8. In the event of the piezo button failing, the appliance may be lit by placing a lighted taper or match at the main burner while depressing the gas control in the ‘IGN’ position.

#### IMPORTANT

After turning off or if the appliance goes out for any reason, wait for three minutes before attempting to relight.

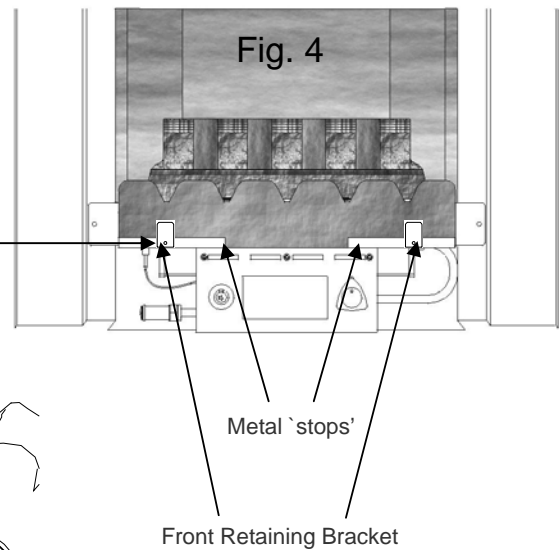


← The support shelf is positioned on the fibre support metalwork. There are two metal `stops` that prevent the support shelf from sitting on the main burner outlet (Fig. 3).

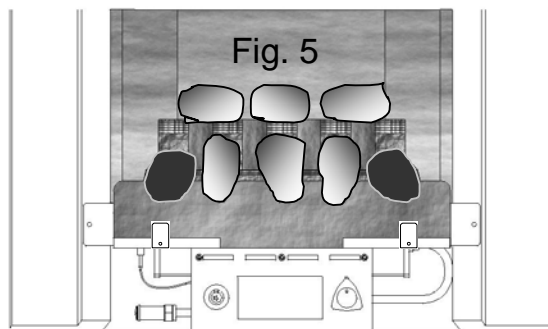
The simulated front is positioned on the shelf directly in front of the support shelf. Two metal `stops` locate the simulated front in position.

Fit the two front retaining brackets with two No 8x3/8 screws supplied in the fixing pack to secure the front into position (Fig. 4).

Note: Large coals/pebbles (grey) and small coals/pebbles (black) are coloured for illustration purposes only!

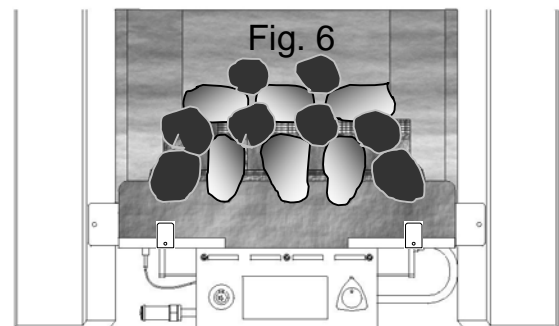


→  
← Place 3 large and 2 small coals/pebbles on top of the simulated front (one in each groove). Allow the coals/pebbles to rest on the support shelf. Place 3 large coals/pebbles on the upper tier of the support shelf (Fig. 5).



Place 4 small coals/pebbles between the 5 coals/pebbles located on top of the simulated front. Allow the coals/pebbles to rest on the 3 large coals/pebbles located on the top tier of the support shelf.

Place 2 small coals/pebbles between the 3 large coals/pebbles located on the top tier of the support shelf (Fig. 6).



To obtain the best visual appearance, it may be necessary to `slightly` adjust the position of the coals. If any of the coals or coal bed become damaged or lost, replacements **MUST** be obtained before further use.

**ADDITIONAL COALS/PEBBLES MUST NOT BE USED**

For a list of spare parts for this appliance, please refer to section 3.3.

**1.6 GUARANTEE**

Please complete the registration section of the white card supplied in the IFU kit. Any part of this appliance is guaranteed against the manufacturer's defective workmanship or faulty materials for a period of twelve months from the date of purchase.

Any such part will be replaced free of charge on receipt of the purchaser's address at the cost of postage only.

Please take time to fill in section 1.1 of this booklet for your future reference.

# Section 2 – Instructions for Installation

## 2.1 IMPORTANT NOTES

Slimline Standard Mk2

- 📖 **CAUTION – THIS PACKAGE WEIGHS 16Kgs – assess the load before you move it and note any other handling information on the packaging. If you think the load is beyond your safe capability, DO NOT PUT YOURSELF AT RISK! Seek assistance from other person(s) and/or use appropriate handling equipment. IT’S YOUR BODY – LOOK AFTER IT!**
- 📖 This appliance is for DECORATIVE PURPOSES ONLY and is manufactured to the requirements of the current issue of EN 509.
- 📖 **This appliance is for use on NATURAL GAS (G20) ONLY, at a supply pressure of 20mbar +/- 1mbar.**
- 📖 This appliance **MUST** be installed by a REGISTERED INSTALLER. Failure to do so may lead to prosecution.
- 📖 Ventilation for this appliance must be fitted in accordance with the rules in force and checked regularly for obstructions. If the appliance is installed in GREAT BRITAIN, additional ventilation is **NOT** normally required. If the appliance is installed in IRELAND, a minimal cross sectional area of 100cm<sup>2</sup> is required.
- 📖 Any permanent flue restriction must be removed and any variable dampers locked fully open or removed. If the flue has been used previously for solid fuel, it **MUST** be swept prior to installation.
- 📖 Care must be taken on the selection of wall coverings within close proximity of the appliance as some vinyl and embossed materials may become discoloured by convected heat. Soft furnishings must be kept clear from the radiant heat of the appliance and from impinging the hearth area. Combustible materials must not be put on or left in the hearth area nor should the coal bed be used to burn rubbish or other materials.
- 📖 This appliance uses fuel effect components, gaskets and insulation material containing Refractory Ceramic Fibre, (RCF), which are man-made vitreous silicate fibres. Excessive exposure to such material may cause temporary irritation to the eyes, skin and respiratory tract. Consequently, it makes sense to take care when handling these articles to ensure that the release of dust is kept to a minimum.
- 📖 This appliance is fitted with an ODS, a spillage monitoring system which operates if the evacuation of products is interrupted (i.e. blocked or incorrect flueing). If the appliance repeatedly **‘goes out’** it may indicate a problem and the installer or specialist should be consulted before further use.
- 📖 The minimum temperature rating of any back panel or hearth must have a minimum fire resistance rating of CLASS 0 (100°C).
- 📖 Materials used in the manufacture of this appliance **DO NOT** contain asbestos.
- 📖 When fitting or servicing this appliance, care must be taken when handling sheet metal parts to avoid any possibility of personal injury.
- 📖 If any home improvements, e.g. double glazing, are carried out after this appliance has been installed, you should contact your Registered Installer and have the operation of the flue checked.

## 2.2 STATUTORY REQUIREMENTS

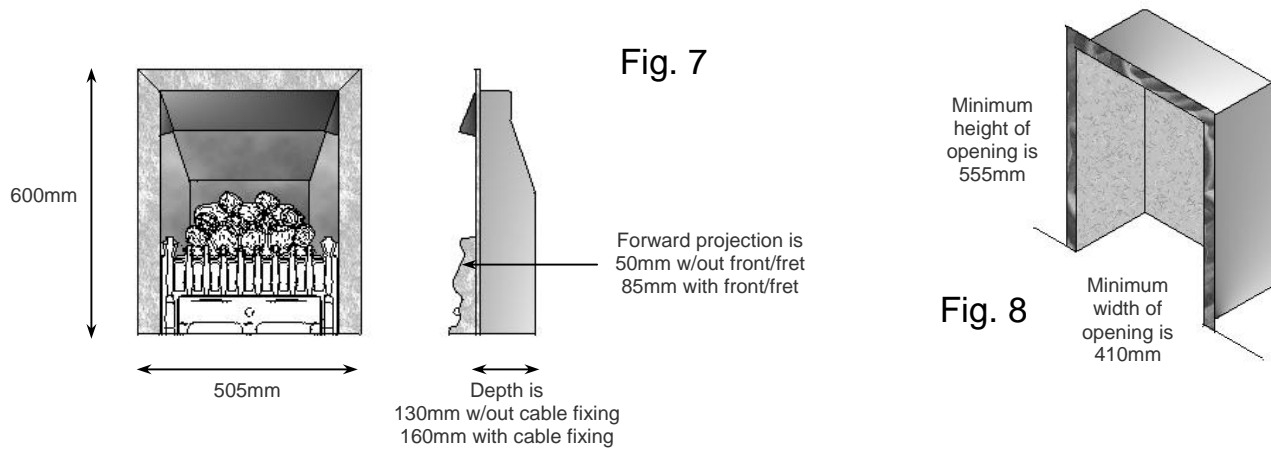
A REGISTERED INSTALLER must carry out the installation of this appliance in accordance with the current issue and relevant requirements of:-

- ✓ This installation booklet.
- ✓ The gas safety (installation and use) regulations.
- ✓ The building regulations.
- ✓ The building standards (Scotland) regulations.
- ✓ The Health and Safety at Work Act.
- ✓ The Control of Substances Hazardous to Health legislation.
- ✓ Any applicable local regulations.

Detailed recommendations are contained in the current issue of the following British Standards and Codes of Practice:-

BS 5440 Part 1	Specifications for installation of flues.
BS 5440 Part 2	Specification for installation of ventilation for gas appliances.
BS 6461 Part 1	Codes of practice for masonry chimneys and flue pipes.
BS 5871 Part 3	Decorative fuel effect gas appliances of heat input not exceeding 15kW (2 <sup>nd</sup> & 3 <sup>rd</sup> family gases).
BS 6891	Specification for installation of low pressure gas pipe work of up to 28mm (R1) in domestic premises (2 <sup>nd</sup> family gases).
BS 8303	Installation of domestic heating and cooking appliances burning solid mineral fuels.
BS 1251	Specification for open-fireplace components.

This installation booklet must not be taken as overriding statutory requirements.



### SPECIFICATIONS

Injector	044/341/196/076M
Gas Control	MP 21301B
Main Burner	Aeromatix AC03/211656
Thermocouple	T100/927-400
Ignition	Single spark electrode direct to main burner
Gas Connection	8mm OD (restrictor elbow)
Gas Type	G20 NATURAL GAS
Maximum Heat Input	6.1kW (20,813btu/hr) Gross
Minimum Heat Input	3.6kW (12,283btu/hr)
Supply Setting Pressure	20mbar +/- 1mbar (Cold)
Flue Types	Class 1, Class 2 & Pre-Cast

### 2.4 INSTALLING THE APPLIANCE (Ventilation)

Ventilation required for this appliance must be fitted with the rules in force and checked regularly for obstructions:-

If the appliance is installed in GREAT BRITAIN, additional ventilation is **NOT** normally required.

If the appliance is installed in IRELAND, a minimal cross sectional area of 100cm<sup>2</sup> is required.



Any permanent flue restriction must be removed and any variable dampers locked fully open or removed. If the flue has been used previously for solid fuel, it must be swept PRIOR to installation. This appliance is suitable for installation into CLASS 1, Class 2 and PRE-CAST flues.

**Class 1**

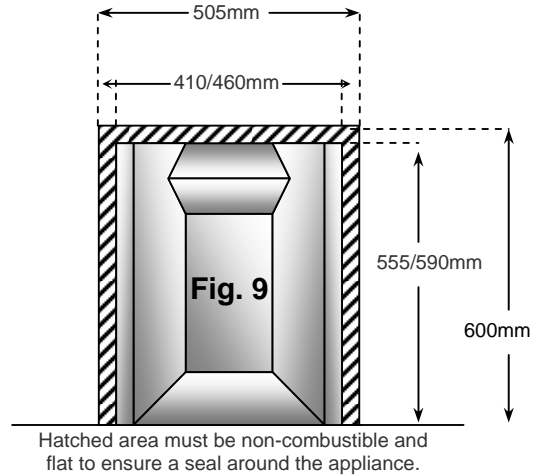
A conventional brick or stone chimney with a minimum effective cross sectional dimension of 225mm x 225mm.

A lined flue with a minimum diameter of 175mm having a chair brick and throat lintel conforming to the current issue of BS 1251 (Fig. 9).

If a chair brick is fitted, the minimum distance from the knee to the front face of the surround is 150mm.

If no chair brick is fitted, the minimum distance required between the rear of the opening and the front face of the surround is 210mm

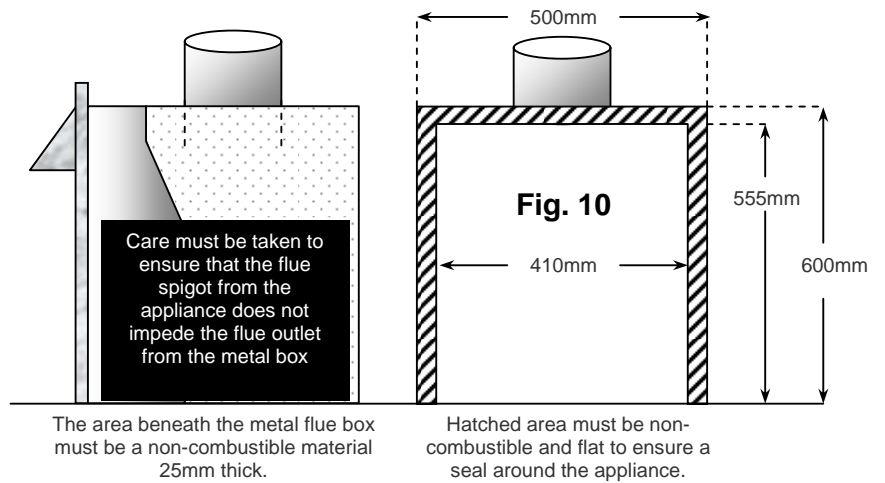
NOTE: A restrictor plate is supplied with the IFU kit. This restrictor plate **MUST ONLY BE USED ON THIS FLUE TYPE!**



**Class 2**

A twin walled metal flue box manufactured to the current issue of BS 715 with a twin walled 125mm diameter flue and a minimum effective height of 3 metres (Fig 10).

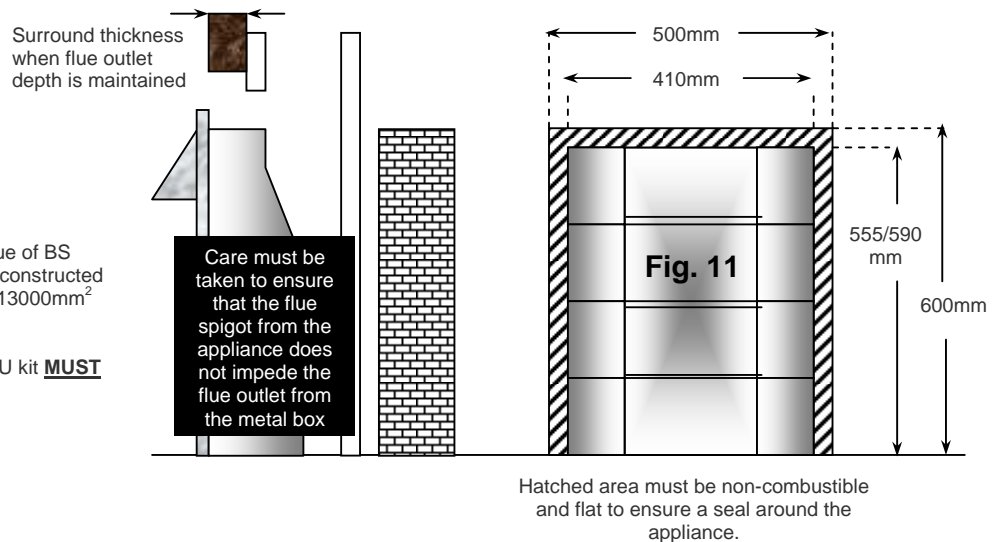
NOTE: The restrictor plate supplied in the IFU kit **MUST NOT BE USED ON THIS FLUE TYPE!**



**Pre-Cast**

A pre-cast flue conforming to the current issue of BS 1289 and BS 1289 Part 1 including properly constructed pre-cast flues with a cross sectional area of 13000mm<sup>2</sup> (Fig. 11).

NOTE: The restrictor plate supplied in the IFU kit **MUST NOT BE USED ON THIS FLUE TYPE!**



The minimum clearance to any combustible material to the side of the appliance must be 150mm (Fig. 12).

The minimal clearance to the underside of a 150mm depth combustible shelf from the hearth must be 790mm. Add 12.5mm to this clearance for every 25mm increased depth of shelf (Fig. 12). A 'SHELF CHART' is provided to aid in calculating clearances to shelves (Fig.13)

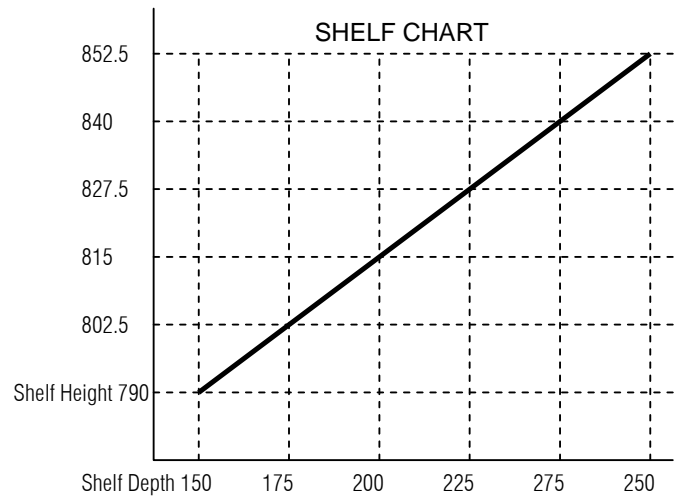
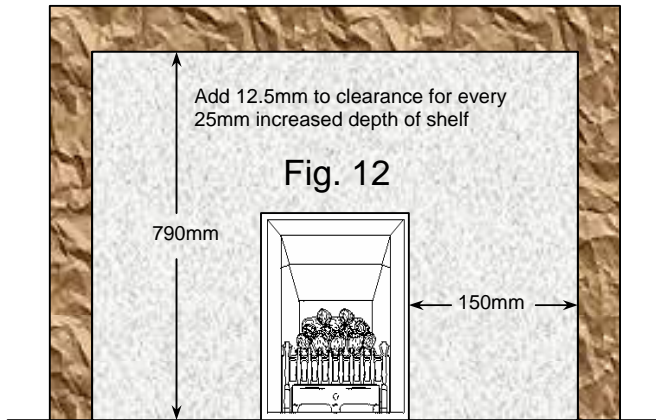
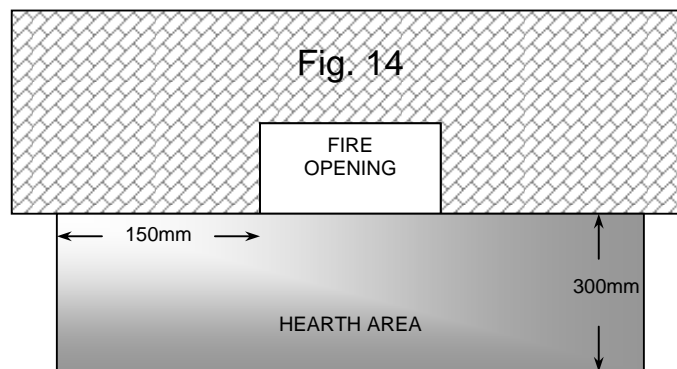


Fig. 13

All dimensions are in MM

2.4.3 INSTALLING THE APPLIANCE (Hearth clearances)

A non-combustible hearth with a minimum thickness of 12.5mm and having a perimeter of 50mm above floor level is required to discourage placing carpets or combustible materials close to the hearth. The width must be a minimum of 150mm either side of the fireplace opening and a depth of 300mm from the front face of the fire opening (Fig. 14).

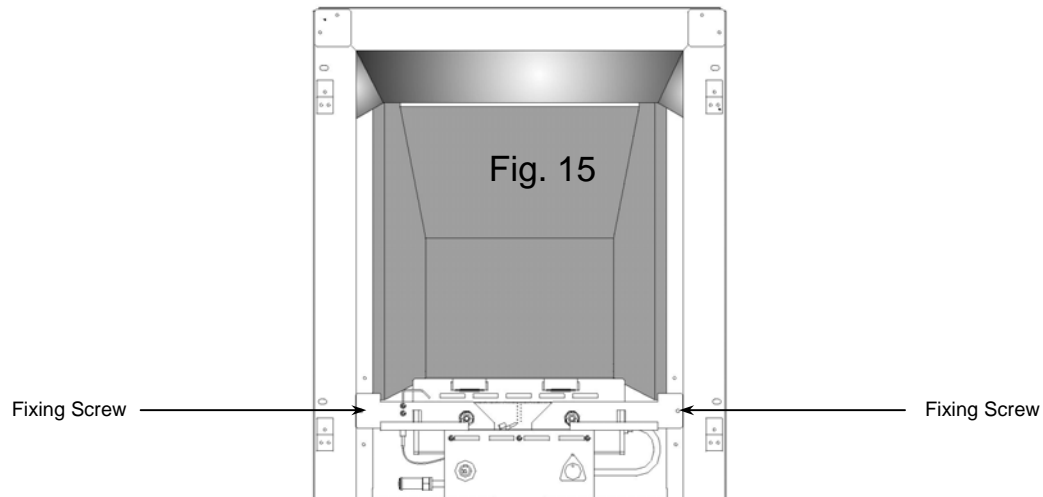


Minimum hearth height - 50mm  
 Minimum hearth width - 805mm  
 Minimum hearth thickness - 12.5mm

**BEFORE COMMENCING WORK, TURN OFF ALL APPLIANCES THAT ARE FED BY THE METER.**

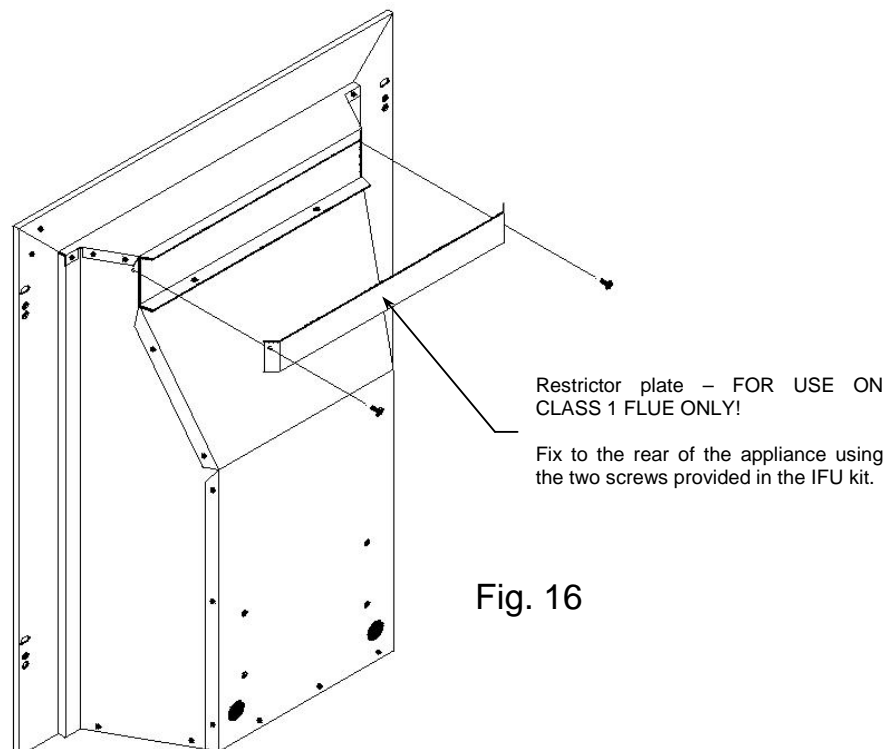
**ISOLATE THE GAS SUPPLY BY TURNING OFF AT THE METER.**

It will be necessary to dismantle the burner unit from the firebox before installation into the opening. Remove the two fixing screws on the left and right hand side of the burner. Lift and pull forward (Fig. 15).



**2.4.4.1 INSTALLING THE APPLIANCE (Restrictor plate)**

A restrictor plate is supplied with the IFU kit. This restrictor is for use when installing the appliance into a CLASS 1 FLUE ONLY! The restrictor plate **MUST NOT BE USED ON CLASS 2 AND PRE-CAST FLUES**. The restrictor plate is fixed to the flue outlet using the two screws provided in the IFU kit (Fig. 16).

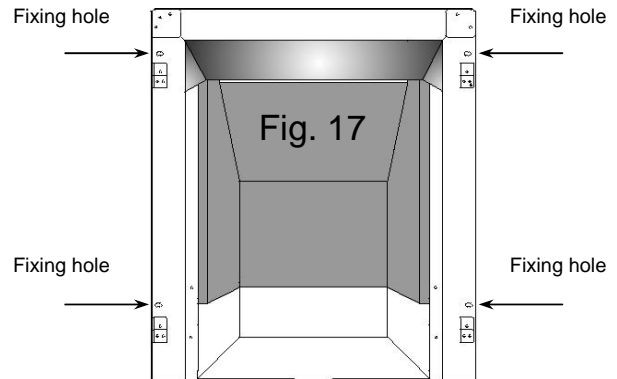


There are two options to fit the firebox into the opening:-

Prior to fitting the firebox, fit the foam seal provided. It should be positioned approximately 10mm from the outside edge of the metalwork. This ensures maximum flow of air through the fire flue. There are two options to fit the firebox into the opening:-

**OPTION 1 WALL FIXING**

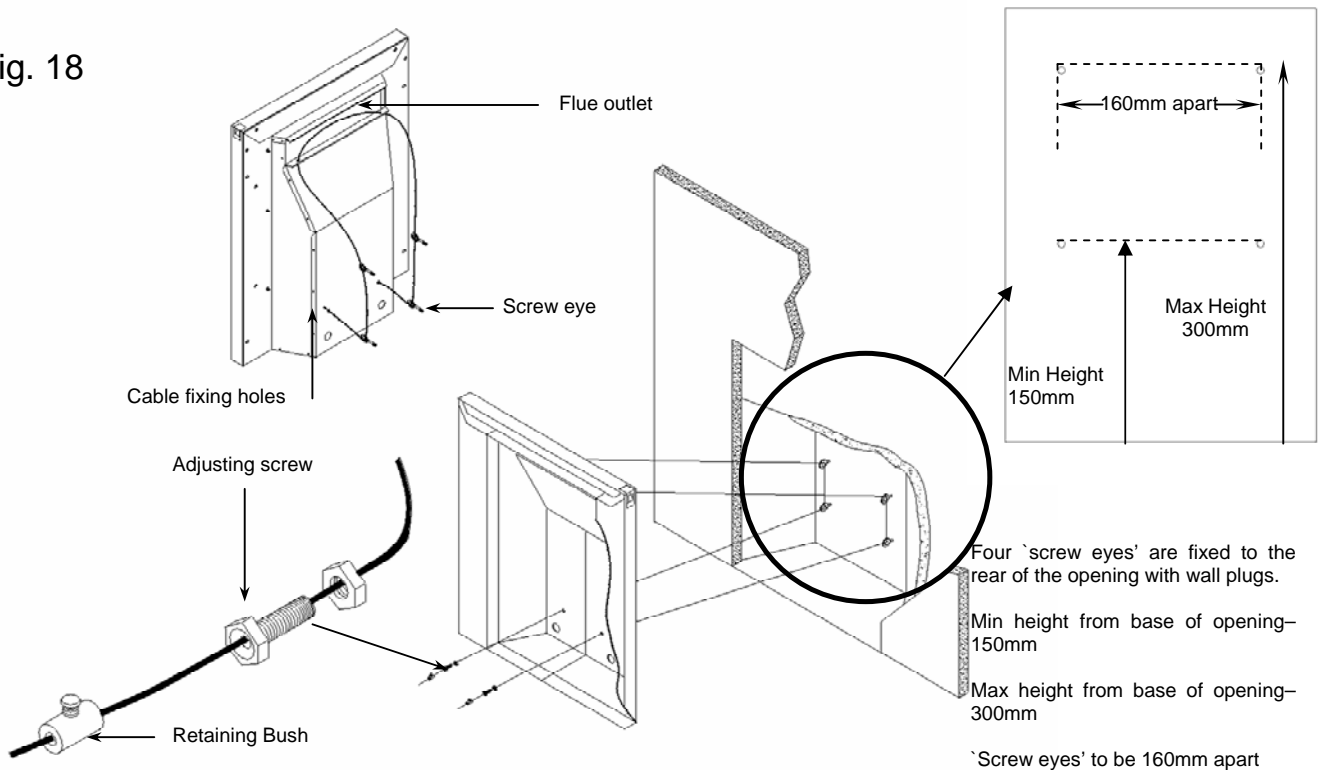
Offer the firebox into the opening. Mark the holes provided, (indicated by the four arrows in Fig. 17), drill, plug and screw the firebox to the back panel, ensuring a good seal is made between the firebox and back panel.



**OPTION 2 WIRE CABLE FIXING**

This method is for when it is undesirable to deface or risk damage to the surround (Fig. 18).

Fig. 18



Fix four `screw eyes` to the rear of the opening. (Note the minimum and maximum height restrictions in the diagram above). Thread the wire cable downwards through the two holes located on the lip of the flue outlet. Thread through the top two `screw eyes` and then through the bottom two `screw eyes`. Finally thread through the two holes located at the rear of the firebox.

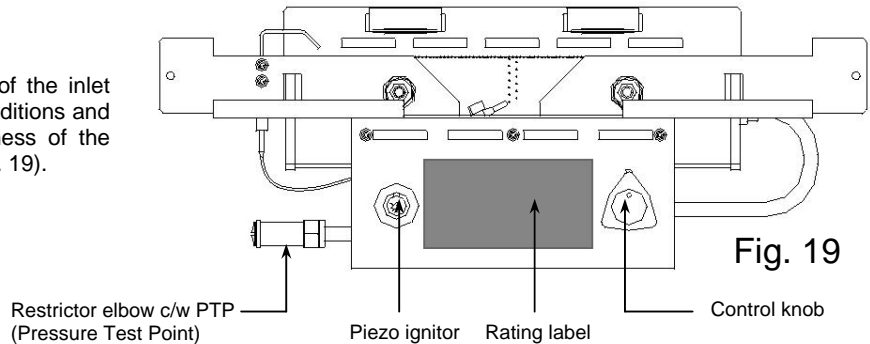
Pull the wire cable and carefully push the firebox into a central position in the opening. Thread each end of the wire cable through the adjusting screw and then through the retaining bush. Adjust the cable and tighten the retaining bush to ensure that a good seal is made between the firebox and back panel.

A restrictor elbow complete with pressure test point is fitted to the appliance to facilitate servicing. The gas supply to the appliance may be from the left or right hand side or even a concealed fitting from the rear. Two holes are provided at the rear of the firebox to help facilitate a concealed connection. Two grommets (one blind, one open) are also provided in the assembly fitting kit for use with the concealed connection. The preferred method of connection should be from the rear left.

It is important to note the requirements of the current issue of BS 6891, dealing with enclosed pipes. This standard requires that when a gas pipe is fed through a wall, it should be enclosed in a gas tight sleeve to protect against failure caused by movement and shall be constructed to prevent passage of gas either between the pipe and sleeve or sleeve and wall.

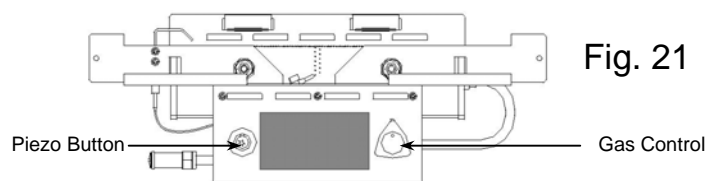
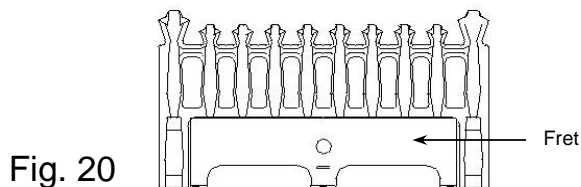
## 2.4.4.4 INSTALLING THE APPLIANCE (Checking the appliance setting pressure)

The pressure test point enables verification of the inlet pressure at the appliance under operating conditions and can also be used to check the gas soundness of the connections to the appliance gas controls (Fig. 19).



## 2.4.4.5 INSTALLING THE APPLIANCE (Checking the correct operation)

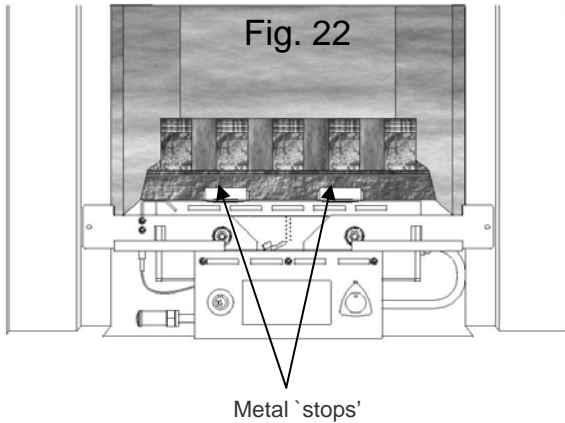
1. Remove the fret (Fig. 20), to gain access to the controls (Fig. 21).



2. Press and turn the gas control anti-clockwise to the 'IGN' position. Keep the control fully depressed.
3. Press and release the piezo button until the main burner behind the simulated front coal has lit.
4. Once lit, keep the gas control depressed for a further 20 seconds.
5. Release the gas control and check that the main burner has remained alight.
6. Press and turn the gas control anti-clockwise to the required setting. Replace the fret.
7. To turn the appliance off, depress and turn the gas control to the 'OFF' position.
8. In the event of the piezo button failing, the appliance may be lit by placing a lighted taper or match at the main burner while depressing the gas control in the 'IGN' position.

**IMPORTANT**

After turning off or if the appliance goes out for any reason, wait three minutes before attempting to relight.

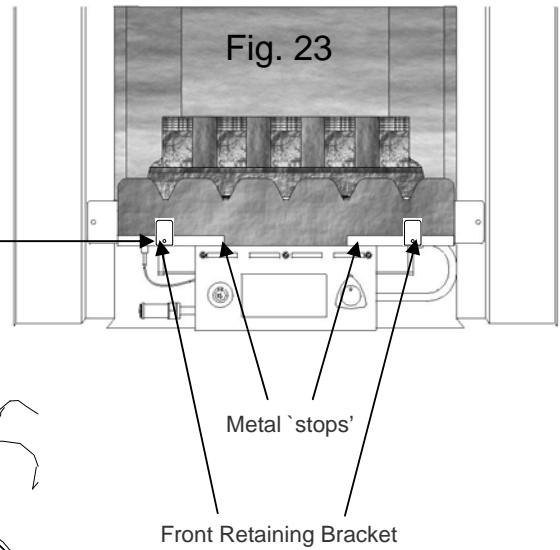


← The support shelf is positioned on the fibre support metalwork. There are two metal 'stops' that prevent the support shelf from sitting on the main burner outlet (Fig. 22).

The simulated front is positioned on the shelf directly in front of the support shelf. Two metal 'stops' locate the simulated front in position.

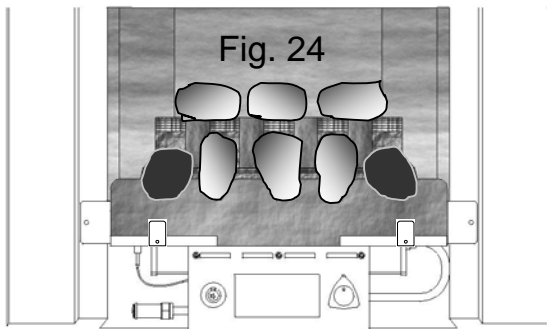
Fit the two front retaining brackets and the two No 8x3/8 screws supplied in the fixing pack to secure the front into position (Fig. 23).

Note: Large coals/pebbles (grey) and small coals/pebbles (black) are coloured for illustration purposes only!



→

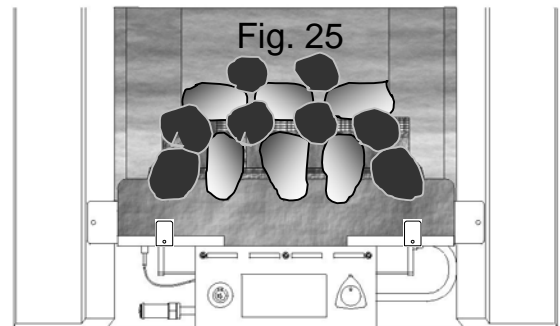
←



← Place 3 large and 2 small coals/pebbles on top of the simulated front (one in each groove). Allow the coals/pebbles to rest on the support shelf. Place 3 large coals/pebbles on the upper tier of the support shelf (Fig. 24).

Place 4 small coals/pebbles between the 5 coals/pebbles located on top of the simulated front. Allow the coals/pebbles to rest on the 3 large coals/pebbles located on the top tier of the support shelf.

Place 2 small coals/pebbles between the 3 large coals/pebbles located on the top tier of the support shelf (Fig. 25).



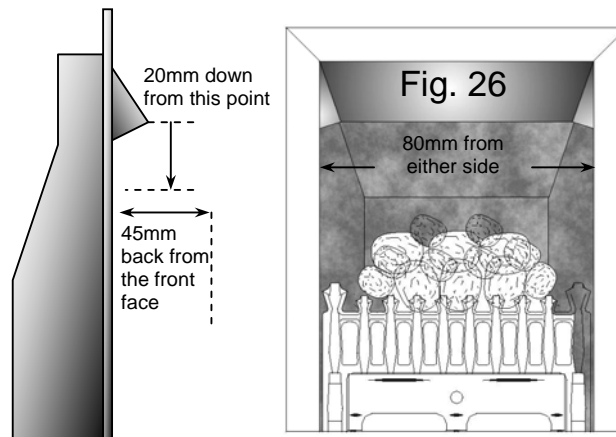
To obtain the best visual appearance, it may be necessary to *slightly* adjust the position of the coals. If any of the coals or coal bed become damaged or lost, replacements **MUST** be obtained before further use.

**ADDITIONAL COALS/PEBBLES MUST NOT BE USED**

Relight the appliance and allow to run for five minutes with the gas control in the 'HIGH' position. Check for satisfactory clearance of combustion products by inserting a lighted smoke match into the opening **20mm** down from the edge of the canopy, **80mm** from either side and **45mm** back from the front edge (Fig. 26).

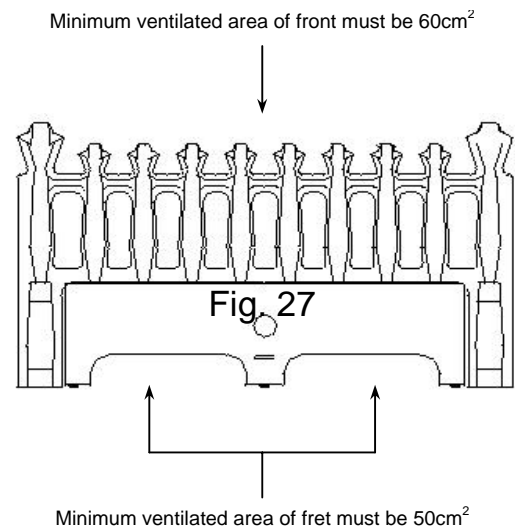
The majority of smoke must be drawn up into the flue. If this does not occur, allow a further 10 minutes and repeat the test. Should spillage still occur, examine the chimney for fault and rectify.

The test should be repeated if an extractor fan or fan powered flue appliance is fitted to the room. If there is a connected room with an extractor fan, the test should be repeated with all the connecting doors to that room opened.



## 2.7 FRONTS AND FRETS (REQUIREMENTS FOR VENTILATION)

The front and fret illustrated (Fig. 27), is the recommended CROSSLEE front and fret. If an alternative front and fret is to be used on the appliance, it is very important to maintain the equivalent ventilation.



## 2.8 ADVISING THE CUSTOMER

Advise the customer on the following points:

The lighting and extinguishing procedures that are described in section 1.3.

They should read the 'Instructions for Use' section at the beginning of this booklet.

The appliance should be serviced at regular intervals and checked for spillage in accordance with the method described in section 2.6.

The curing effect of heating the coals will cause an initial odour. This is not harmful although additional ventilation (i.e. an opened window) may be required until the odour has disappeared.

If the appliance is turned off or shuts off automatically, wait for at least three minutes before attempting to relight.

# Section 3 – Maintenance & Servicing

## 3.1 REMOVAL OF DEBRIS OR SOOT

Slimline Standard Mk2

Allow the appliance to cool for two to three hours before removing all of the fibre components for cleaning purposes. Once all the fibre is removed, check that no debris is located in the burner holes of the appliance. If any debris is located, carefully remove any foreign matter from the burner holes.

Any soot deposits or debris left on the fibre components may be removed by using a soft brush. Brush with the component held away from your face so that you avoid inhaling the dust. CROSSLEE plc **DOES NOT** recommend the use of a normal vacuum cleaner, which may blow dust back into the room.

To ensure that the release of fibres from these RCF articles is kept to a minimum, during installation and servicing, CROSSLEE recommend that a HEPA filtered vacuum is used to remove any dust and soot accumulated in and around the appliance before and after working. When replacing these articles, CROSSLEE recommend that they are **NOT** broken up, but are sealed in heavy duty polythene bags and clearly labelled as **RCF WASTE**. This is not classified as hazardous waste and may be disposed of at a tipping site licensed for the disposal of industrial waste. Protective clothing is not required when handling these articles although CROSSLEE recommend you follow the normal hygiene rules of not smoking, eating or drinking in the work area and to always wash your hands before doing so.

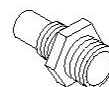
## 3.2 SERVICING COMPONENTS BELOW THE BURNER

To gain access to the components below the burner, remove the fibre components and the burner unit from the firebox.

### CLEANING OR REPLACING THE INJECTOR (Fig. 28).

- ❖ Unscrew the compression nuts from the gas control to the injector.
- ❖ Remove the formed pipe.
- ❖ Unscrew the injector from the burner.
- ❖ Replace in reverse order.

Fig. 28



### REPLACING THE GAS CONTROL (Fig. 29).

- ❖ Disconnect the two formed pipes from the gas control.
- ❖ Disconnect the thermocouple from the gas control.
- ❖ Remove the control knob.
- ❖ Undo the retaining nut on the fascia panel.
- ❖ Replace in reverse order.

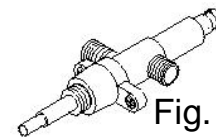
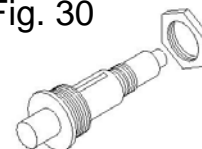


Fig. 29

### REPLACING THE PIEZO IGNITOR (Fig.30).

- ❖ Disconnect the HT lead from the piezo ignitor.
- ❖ Retain the metal fixing nut with one finger and rotate piezo ignitor.
- ❖ Replace in reverse order.

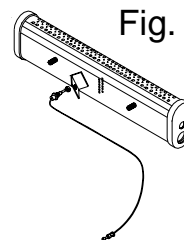
Fig. 30



### REPLACING THE MAIN BURNER & THERMOCOUPLE (Fig.32). (Atmospheric sensing device)

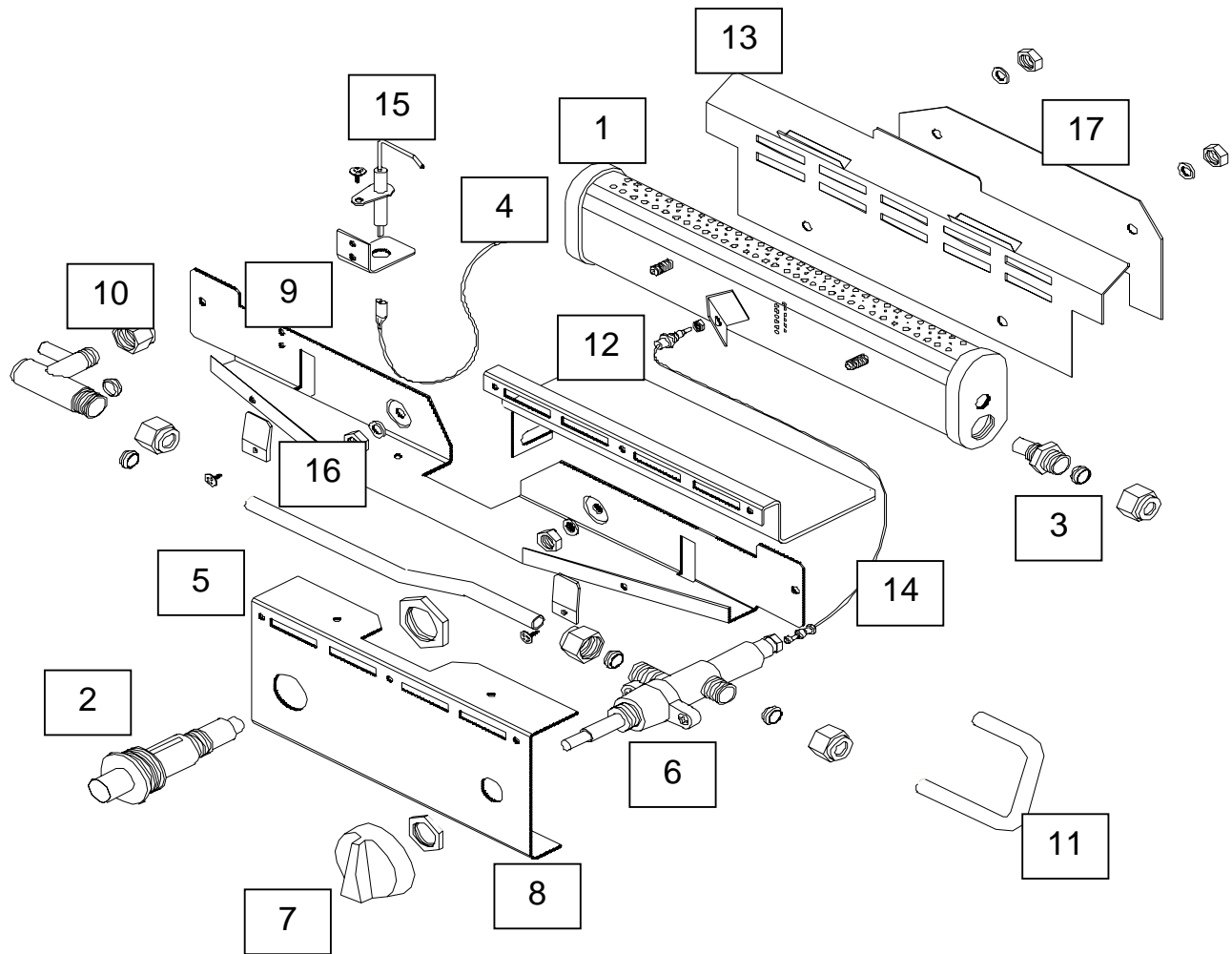
- ❖ Unscrew the two fastening nuts and washers from the rear of the burner unit.
- ❖ Remove the stainless steel baffle and spacer plate.
- ❖ Disconnect the formed pipe connecting the gas control and injector.
- ❖ Unscrew the injector from the main burner
- ❖ Unscrew the two fastening nuts and washers from the front of the burner unit.
- ❖ Remove the main burner.
- ❖ Unscrew the locknut, retaining the thermocouple.
- ❖ Remove the thermocouple.
- ❖ Replace in reverse order.

Fig. 31





# SLIMLINE STANDARD Mk2 (32-187-41A)



## 3.3 SPARE PARTS

	PART DESCRIPTION	CROSSLIEE PART No	BRITISH GAS COUNCIL NUMBER	QUANTITY
1	Aeromatix Burner (Natural Gas) (Manuf. No. AC03/211656)	0102 078 02191	E86-785	1
2	Piezo Ignitor c/w Steel Nut (Manuf. No. 66142/100)	40245	397-686	1
3	076M Straight Injector (Manuf. No. 044-341-196-076M)	0102 078 02441	E86-787	1
4	Ignition Lead (250mm)	40244	397-685	1
5	Inlet Bundy	0102 078 02391	E86-789	1
6	Gas Valve (Aero Burner) (Manuf. No. MP21301B)	0102 078 02431	E86-790	1
7	Control Knob	0102 078 02791		1
8,9	Facia Assembly Slimline (Painted)	0102 089 54421		1
10	Restrictor Elbow c/w Pressure Test Point	0102 078 00041	E61-962	1
11	Bundy Pipe (Tap – Injector)	0102 078 02331	E86-794	1
12	Heat Shield	0102 075 32541	E86-795	1
13	Stainless Steel Baffle	0102 075 32471	E86-796	1
14	Thermocouple c/w Nut (Manuf. No. T100/927-400)	0102 078 02351	E86-797	1
15	Electrode	0102 078 02421	E86-798	1
16	Front Retaining Bracket	0102 075 33451		2
17	Baffle Spacer Plate	0102 070 31551		1
	Black Coal Bed (see section 1.4)	0102 095 51611		1
	Black Simulated Front (see section 1.4)	0102 095 51601	E96-044	1
	Set of Ceramic Coals (see section 1.4) (6 Large, 8 Small)	0102 078 02491	E89-255	1
	Set of Ceramic Pebbles (see section 1.4) (6 Large, 8 Small)	0102 092 40181		1
	Magnet (Manuf. No. N30H)	42561	E01-395	4

In the event that you may require service, spares or technical information, please contact us at: -

Crosslee PLC  
Halifax  
West Yorkshire  
HX3 8DE

	<b>Telephone</b>	<b>Fax</b>
Customer Service	01422 203963	01422 204767
Service Engineer (REPAIRCARE)	0844 8797422*	

\*Calls cost 5p per minute from a UK BT landline. Charges from mobile and other network providers may vary.